

CX Series

High Pressure Reciprocating Pumps



The CX Series combines WASP manufacturing expertise and understanding of applications to provide a pump with strength and versatility for any demanding high pressure job. They are manufactured in technical collaboration with FE Myers, U.S.A., one of the leading manufacturers of high quality pumps in the world and pioneers in high pressure pumping. At WASP we know your need and we deliver.

ADVANTAGES BY DESIGN

- Wide Performance Range
- Solid cast iron power end
- Constant lubrication at all working parts
- High - strength cast iron, aluminium-bronze
- Whisper quiet operation
- Large oversized in-line suction and discharge valves allow complete filling of cylinder.

SPECIFICATIONS

Temp. Rating °F (°C)	Sizes in Inches (mm)					Approx. Wt. Lbs. (Kgs.)
	Piston Stroke	Suction Size NPT	Discharge Size NPT	Input Shaft	Keyway	
180° (82°)	1¼ (31.75)	1½ (38.1)	1 (25.4)	1⅝ (28.58)	¼ x ⅝ (6.35 x 3.18)	104 (47)

PRODUCT CAPABILITIES*

Catalog Number	Max. Rated Capacity GPM (LPM)	Max. Rated Pressure PSI (Bar)	Max. Rated Speed RPM	Cylinder Bore Inches (mm)	Max. HP (kw)	Fluid End Material
CX 10-15	10.4 (39.5)	1500 (103.4)	560	1¼ (31.75)	11.2 (8.4)	Ductile Iron
CX 20-10	10.4 (39.5)	1000 (68.9)	560	1¾ (44.45)	14.4 (10.7)	Ductile Iron
CX 7-19	10.4 (39.5)	1900 (131)	560	1⅝ (28.58)	12 (8.9)	Ductile Iron

*Pump performance data are based upon 100% volumetric efficiency and 85% overall efficiency

PERFORMANCE DATA

Flow Capacity		Horsepower Required for : PSI (Bar)						
CX - 10	LPM	RPM	400 (28)	600 (42)	800 (56)	1000 (70)	1300 (91)	1500 (103)
	27.9	400	2.7	3.8	4.9	5.9	7.2	8.0
	31.4	450	3.1	4.4	5.6	6.1	8.1	9.0
	35.1	500	3.6	5.0	6.2	7.5	9.1	10.0
	39.5	560	4.0	5.5	7.0	8.4	10.3	11.2
CX - 20	LPM	RPM	300 (21)	400 (28)	500 (34)	800 (42)	750 (52)	1000 (70)
	56.7	400	3.4	4.4	5.4	6.1	7.5	10.0
	63.1	450	3.8	5.0	6.1	7.1	8.6	11.5
	69.9	500	4.1	5.4	6.6	7.8	9.5	12.7
	78.6	560	4.7	6.0	7.3	8.7	10.8	14.4
CX - 7	LPM	RPM	750 (52)	1000 (70)	1250 (86)	1500 (103)	1700 (117)	1900 (131)
	21.1	400	3.2	4.1	5.2	6.3	7.1	7.9
	24.5	450	3.6	4.7	5.8	6.9	7.8	8.9
	27.2	500	3.8	5.0	6.4	8.0	8.7	9.9
	31.7	560	4.4	5.8	7.4	9.2	10.3	12.0

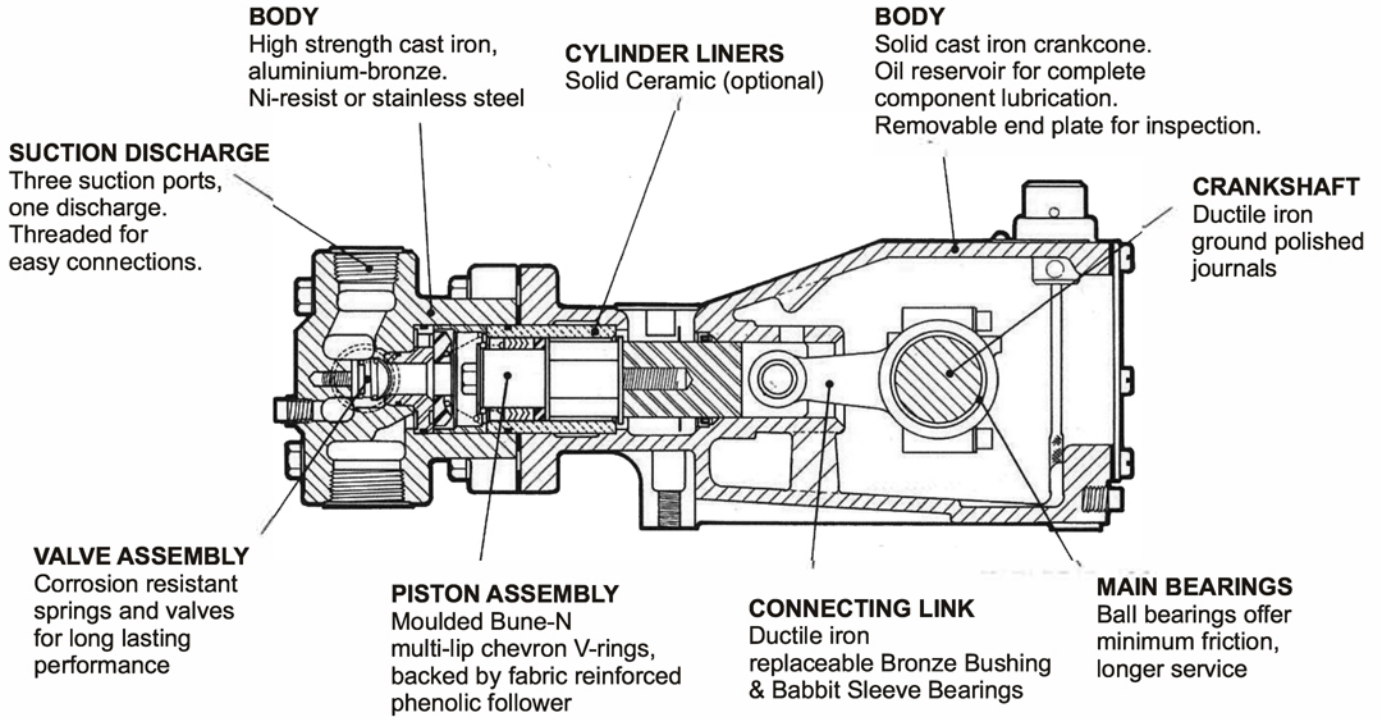
CX Series

High Pressure Reciprocating Pumps

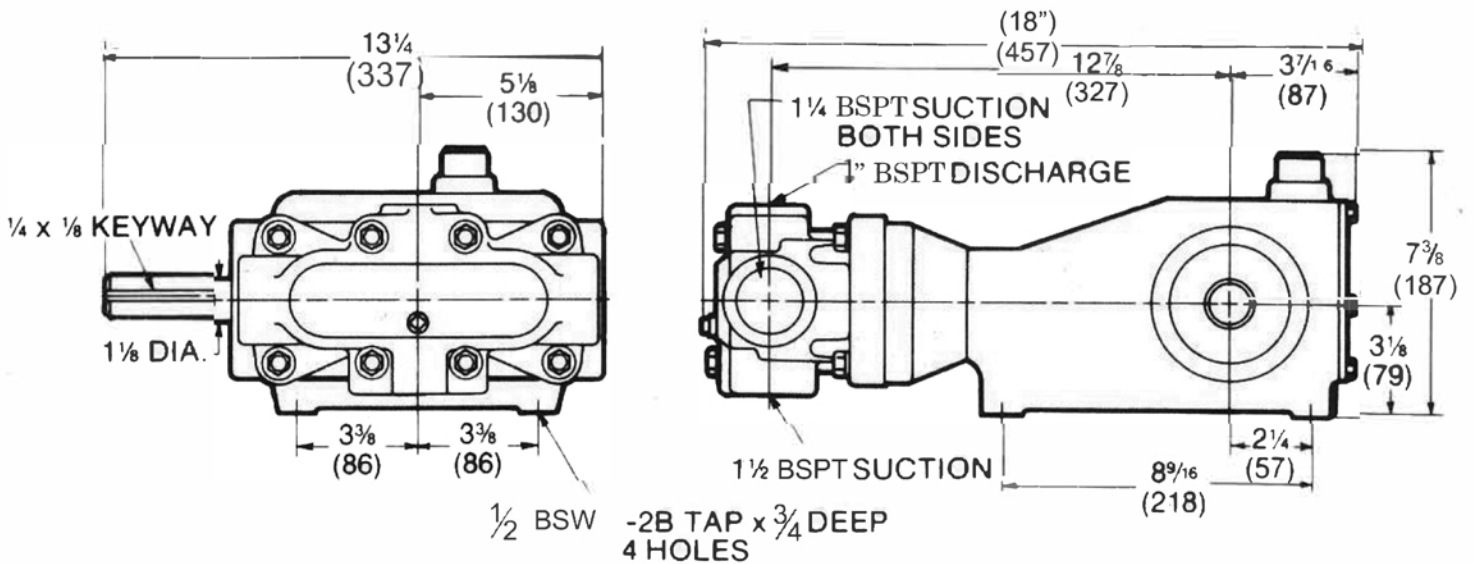


FLUID - END

POWER - END



DIMENSIONS



www.wasppumps.com

WASP PUMPS (INDIA) LLP

Regd. Sales Office & Works;
Plot No. 113, Road No. 21, Wagle Industrial Estate, Thane 40604 GST:
27AAFFW0904N1ZX, Tel: +91 98210 21183,
Email: wasppumps@rediffmail.com Website : www.wasppumps.com

