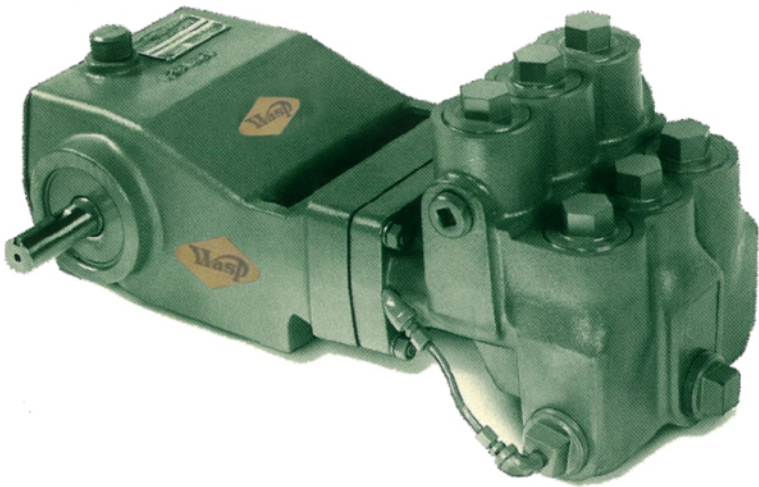


CXP SERIES

High Pressure Reciprocating Pumps

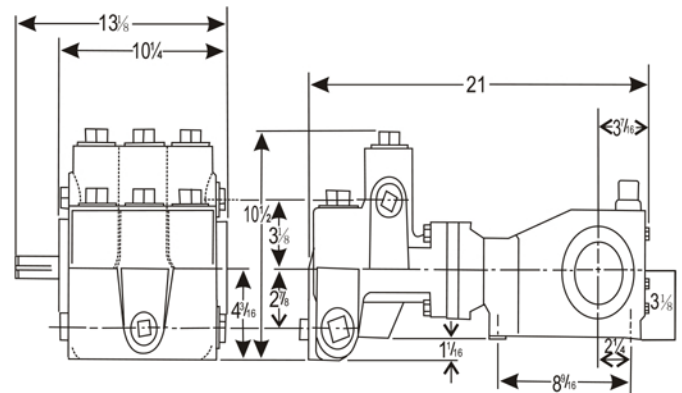


The CXP Series combines WASP manufacturing expertise and understanding of applications to provide a pump with the strength and versatility for any demanding high pressure job.

The CXP Series plunger pump adds a new dimension of rugged versatility to 'WASP' high pressure industrial line. They are manufactured in technical collaboration with FE Myers, U.S.A., one of the leading manufacturers of high quality pumps in the world and pioneers in high pressure pumping.

In one basic unit, the CXP offers seven interchangeable plunger and seal packages, allowing complete hydraulic coverage. The CXP handles liquids upto 160°F (71°C) with a maximum inlet pressure of 75 PSI. Optimum flow and pressure is easily converted, even in the field, by changing the plunger and seal kit. Three different valves with different flow areas (Valves A, B and C) fit into the same valve deck and are also interchangeable.

DIMENSIONS (For estimating only)



SPECIFICATIONS

Temperature Rating °F (°C)	Size in Inches (Millimeters)					Weight Lbs. (Kgs.)
	Plunger Stroke	Suction Size (NPT)	Discharge Size (NPT)	Input Shaft	Keyway	
160 (71)	1 1/4 (31.75)	1 1/2 (38.10)	1 (25.40)	1 1/8 (28.58)	1/4 x 1/8 (6.35x3.18)	152 (69)

PUMP PERFORMANCE*

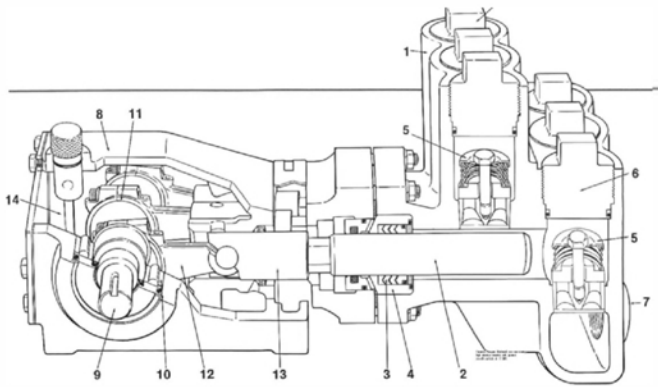
Catalog Number	Maximum Rated Capacity GPM (LPM)	Maximum Rated Pressure PSI (Bar)	Maximum Rated Speed RPM	Plunger Size Inch (mm)	Maximum HP (KW)	Valve**	Fluid End Material
CXP 30-12	30 (114)	1,200 (82.7)	900	1 5/8 (41.3)	25 (18.6)	A	Ductile Iron / Aluminium Bronze
CXP 26-14	26 (98)	1,400 (96.6)	900	1 1/2 (38.1)	25 (18.6)	A	Ductile Iron / Aluminium Bronze
CXP 22-16	22 (83)	1,650 (113.8)	900	1 3/8 (34.9)	25 (18.6)	A	Ductile Iron / Aluminium Bronze
CXP 18-20	18 (68.1)	2,000 (137.9)	900	1 1/4 (31.8)	25 (18.6)	B	Ductile Iron
CXP 14-24	14 (53.0)	2,450 (169.07)	900	1 1/8 (28.6)	25 (18.6)	B	Ductile Iron
CXP 7-30	7 (26.5)	3,000 (206.97)	560	1 (25.4)	15 (11.2)	C	Ductile Iron
CXP 5-35	5 (18.9)	3,500 (241.47)	560	3/8 (22.2)	13 (9.7)	C	Ductile Iron

* Pump performance data are based upon 100% volumetric efficiency & 85% overall efficiency.

** Pump performance based on valve listed

CXP Series

High Pressure Reciprocating Pumps



Seal Plate of stainless steel features easy and quick replacement of seals.

Center Post Valves are spring loaded, have delmin valves and stainless steel seats. Double springs for high speed and longer life.

Valve Caps are of stainless steel with Buna-N O-ring seals and back-up ring. Valves can be serviced without disturbing piping.

Suction & discharge valves are located for easy service. Large threaded suction opening on sides and/or front. Discharge openings are tapped.

FLUID - END COMPONENTS

Cylinder Body of high strength ductile iron or aluminium-bronze for salt water application

Ceramic Plungers (optional) are non-scoring, high alumina ceramic with ground smooth surface of 12 RMS.

High Pressure Seals are wetted seal design, lubricated and cooled by suction fluid for longer seal life.

HORSEPOWER REQUIREMENTS

POWER - END COMPONENTS

Crankcase of rugged cast iron supports the crank shaft & provides as an oil reservoir for continuous splash lubrication. Cover section quickly removeable for easy service.

Automotive type crankshaft is of high strength ductile iron.

Shaft bearings feature tapered roller bearings for high loads.

Crankshaft journal bearings are automotive type, steel-backed bobbin inserts.

Connecting links are ductile iron with replace-able bronze wrist-pin bearings. Wrist pins are press fitted into the crossheads.

Piston "pony" rods are smoothly ground and highly - polished stainless steel, threaded and pinned axially to crosshead.

Continuous splash lubrication is provided during either direction of rotation.

CXP 30-12

L.P.M.	R.P.M.	13.8 Bar	27.6 Bar	41.4 Bar	55.2 Bar	69.0 Bar	82.7 Bar
95.4	750	3.5	6.9	10.4	13.8	17.3	20.8
101.8	800	3.7	7.4	11.1	14.8	18.5	22.2
108.3	850	3.9	7.9	11.8	15.7	19.6	23.6
114.7	900	4.2	8.3	12.5	16.6	20.8	25.0

CXP 18-20

L.P.M.	R.P.M.	69.0 Bar	82.7 Bar	96.5 Bar	110.3 Bar	124.1 Bar	138.0 Bar
56.4	750	10.2	12.3	14.3	16.4	18.4	20.5
60.2	800	10.9	13.1	15.3	17.5	19.6	21.8
64.0	850	11.6	13.9	16.2	18.6	20.9	23.2
67.8	900	12.3	14.7	17.2	19.7	22.1	24.6

CXP 26-14

L.P.M.	R.P.M.	27.6 Bar	41.4 Bar	55.2 Bar	69.0 Bar	82.7 Bar	96.5 Bar
81.4	750	5.9	8.9	11.8	14.8	17.7	20.7
86.7	800	6.3	9.4	12.6	15.7	18.9	22.0
92.4	850	6.7	10.0	13.4	16.7	20.1	23.4
97.7	900	7.1	10.6	14.2	17.7	21.3	24.8

CXP 7-30

L.P.M.	R.P.M.	138.0 Bar	151.7 Bar	165.5 Bar	179.3 Bar	193.1 Bar	207.0 Bar
19.3	400	7.0	7.7	8.4	9.1	9.8	10.5
21.6	450	7.8	8.6	9.4	10.2	11.0	11.7
24.2	500	8.8	9.7	10.5	11.4	12.3	13.2
26.9	560	9.7	10.7	11.7	12.7	13.6	14.6

CXP 22-16

L.P.M.	R.P.M.	41.4 Bar	55.2 Bar	69.0 Bar	82.7 Bar	96.5 Bar	113.8 Bar
68.5	750	7.5	9.9	12.4	14.9	17.4	20.5
73.1	800	7.9	10.6	13.2	15.9	18.5	21.9
77.6	850	8.4	11.2	14.1	16.9	19.7	23.2
82.1	900	8.9	11.9	14.9	17.9	20.9	24.6

CXP 14-24

L.P.M.	R.P.M.	96.5 Bar	110.3 Bar	124.1 Bar	138.0 Bar	151.7 Bar	169.0 Bar
45.8	750	11.6	13.3	14.0	16.6	18.3	20.3
48.8	800	12.4	14.2	15.9	17.7	19.5	21.7
51.9	850	13.2	15.0	16.9	18.8	20.7	23.0
54.9	900	13.9	15.9	17.9	19.9	21.9	24.4

CXP 5-35

L.P.M.	R.P.M.	172.4 Bar	186.2 Bar	200.0 Bar	213.7 Bar	227.5 Bar	241.3 Bar
14.8	400	6.7	7.2	7.8	8.3	8.8	9.4
16.7	450	7.6	8.2	8.8	9.4	10.0	10.6
18.5	500	8.4	9.1	9.8	10.4	11.1	11.8
20.8	560	9.4	10.2	10.9	11.7	12.5	13.2



www.wasppumps.com

WASP PUMPS (INDIA) LLP

Regd. Sales Office & Works:
 Plot No. 113, Road No. 21, Wagle Industrial Estate, Thane 400604
 GST: 27AAFFW0904N1ZX, Tel: +91 98210 21183,
 Email: wasppumps@rediffmail.com Website : www.wasppumps.com

