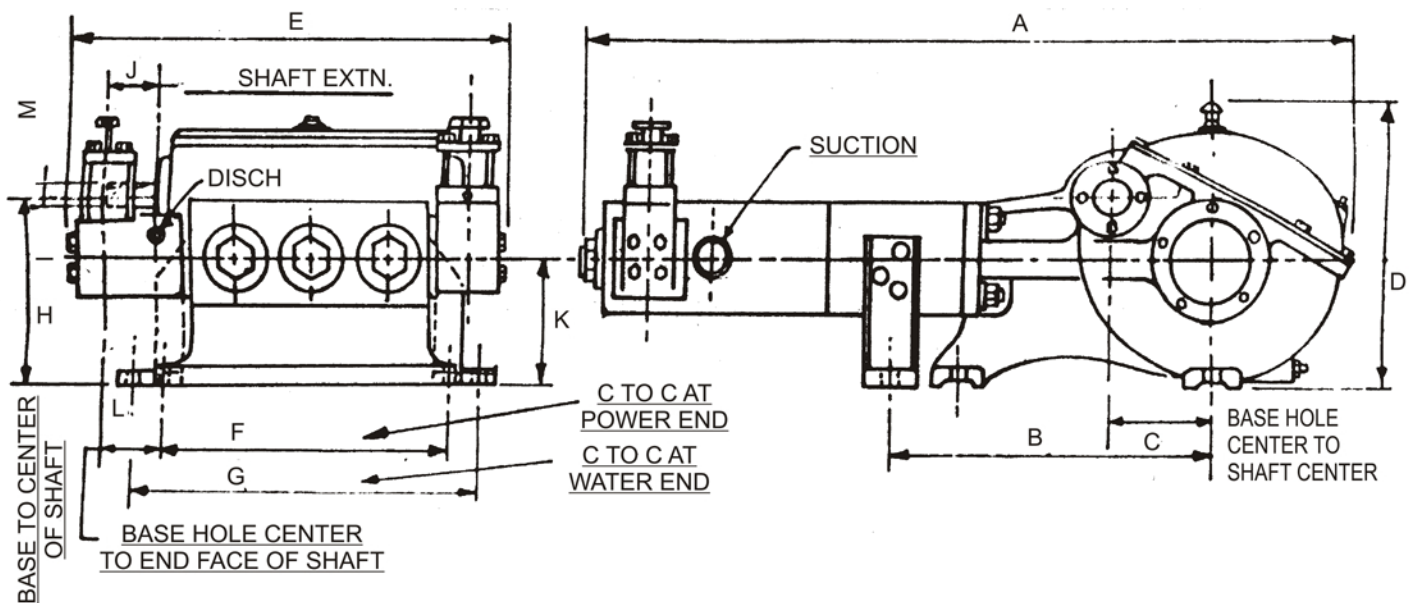
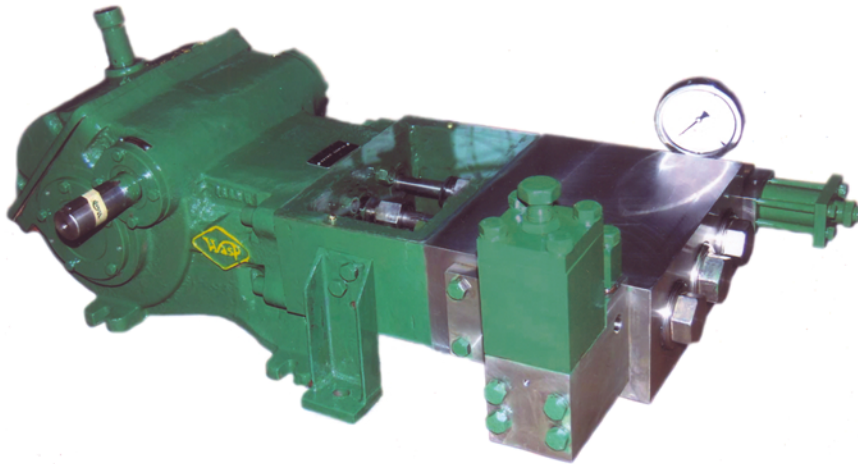


SI 4000/7500 Series

Very High Pressure Reciprocating Pumps



The 'WASP' Series SI - 7500 and SI - 4000 are Very High Pressure Triplex Reciprocating Pumps designed with precision and care to the exacting standards of modern times. They are manufactured in technical collaboration with FE Myers, U.S.A., one of the leading manufacturers of high quality pumps in the world and pioneers in high pressure pumping. Rigorous tests have proved the SI - 7500 and SI - 4000 to provide one of the most reliable performances. This versatile pump which can give upto 10,000 p.s.i. pressure, has various industrial applications.



DIMENSIONS IN MM

Pump Type	A	B	C	D	E	F	G	H	J	K	L	M
SI 4000	963	413	104.7	337	590	355.5	395	241.3	90	162	105	41.27 DIA
SI 7500	1076	464	138.11	432	660	406.4	428.62	266.7	87.31	180.97	105	41.27 DIA

SI 4000/7500 Series

Very High Pressure Reciprocating Pumps



FLUID - END COMPONENTS

Cylinder Body is machined from a solid forged block of stainless steel and ultrasonically tested to give the best performance under tough working conditions.

Discharge Valve Assembly is tapered guided and spring loaded for positive closing action and higher efficiency. Valve and valve seats are made of hardened stainless steel, precision machined and ground.

The fluid-end design provides an inline configuration of the suction valve assembly and plunger to allow virtually unrestricted fluid flow. It minimizes the feed pressure requirement.

Plungers are made from hardened stainless steel with a thick layer of hard chrome plating. They are precision machined, ground, lapped and polished.

Special packing seal is provided against plunger with no-wear sensitive lips.

Safety Valve is integrally mounted with fluid cylinder body. It is preset and sealed at the factory to prevent water pressure from exceeding the limit, thus protecting the pump and accessories.

Flange Mounted Automatic Unloader consists of spring loaded non-return valve and a by-pass control valve to adjust the pressure to the desired level. It is used along with a high pressure gun and foot operated valve when there is no need for sudden starting and stopping. When the line is shut-off instantaneously, the unloader bypasses the water back to the pump, at

practically water inlet pressure. It therefore unloads and makes the pump run on no load. If a gun is started the bypass is stopped and the pump is put back to original pressure.

POWER - END COMPONENTS

Gearcase of rugged cast iron protects the gears and serves as oil reservoir for continuous lubrication. Cover section quickly removable for easy service.

Pinion & main gear are helical cut and machined from high-strength alloy steel, and rotate in either direction. Integral pinion shaft is also machined from high-strength alloy steel.

Automotive type crankshaft is of high strength ductile iron.

Shaft bearings feature tapered roller bearings.

Crankshaft journal bearings are automotive type, steel-backed inserts.

Connecting links are ductile iron with replaceable bronze wrist-pin bearings. Wrist pins are press fitted into the crossheads.

Piston "pony" rods are smoothly ground and highly - polished stainless steel, threaded and pinned axially to crosshead.

Continuous splash lubrication is provided during either direction of rotation.

H. P. REQUIREMENT

Performance Table at 1440 RPM PINION SPEED

Pump Type	Capacity in LPM	HP													
		5	7.5	10	12.5	15	20	25	30	40	50	60	75	80	100
PRESSURE IN KG/CM ²															
SI 4014	15.0	126	189	253	323	386	480								
SI 4018	24.0		112	154	189	232	309	386	435						
SI 4022	36.0			98	126	154	203	260	309	490	575				
SI 4026	50.0				91	112	147	182	224	295	420				
SI 4028	58.0				77	91	126	161	189	253	323				
SI 4030	66.0						112	140	168	224	281				
SI 4032	76.0							119	147	196	246				
SI 4036	96.0							98	112	154	189				
SI 7514	16.0							352	562	765	880	1042	1056	1170	1285
SI 7522	40.0										476	580	704	739	880
SI 7526	53.0										358	422	513	562	704
SI 7528	62.0										306	372	454	496	605
SI 7530	72.0										265	322	394	430	528
SI 7532	82.0										234	285	346	379	464
SI 7536	104.0										183	224	273	298	352



www.wasppumps.com

WASP PUMPS (INDIA) LLP

Regd. Sales Office & Works:
 Plot No. 113, Road No. 21, Wagle Industrial Estate, Thane 400604
 GST: 27AAFFW0904N1ZX, Tel: +91 98210 21183,
 Email: wasppumps@rediffmail.com Website : www.wasppumps.com

